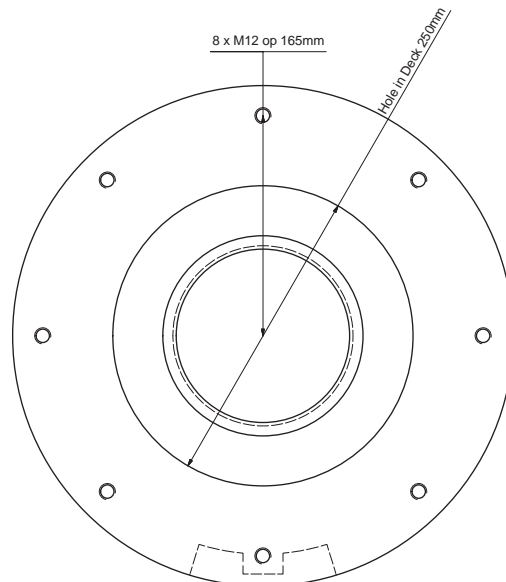
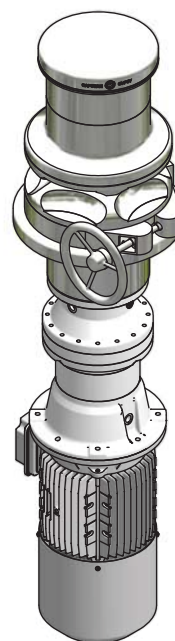


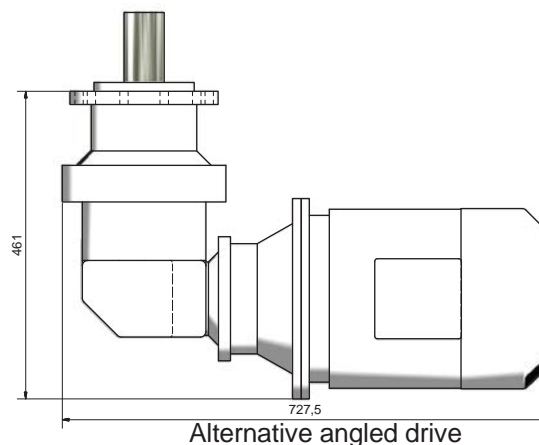
Removal clearance 200mm



Mounting hole pattern



Iso View



Alternative angled drive

ALG. TOLERANTIE TENZIJ ANDERS VERMELD: MATEN ± 0.2 HOEKEN ± 1

Drawingnumber: Anchorwinch Type 3 GA Title: Anchorwinch Type 3 GA

Material:

Date: 4-7-2014 Projection

Designer: AD

Format: AI Scale: Units: Version:

Sheet 1 of 1



ASCION Equipment B.V.
Kernrijnstraat 3
1336BA Almere
The Netherlands
Tel. +31 (0)36 5324004

All rights reserved. This drawing remains property of ASCION Equipment B.V. and cannot be used or copied without prior written permission.