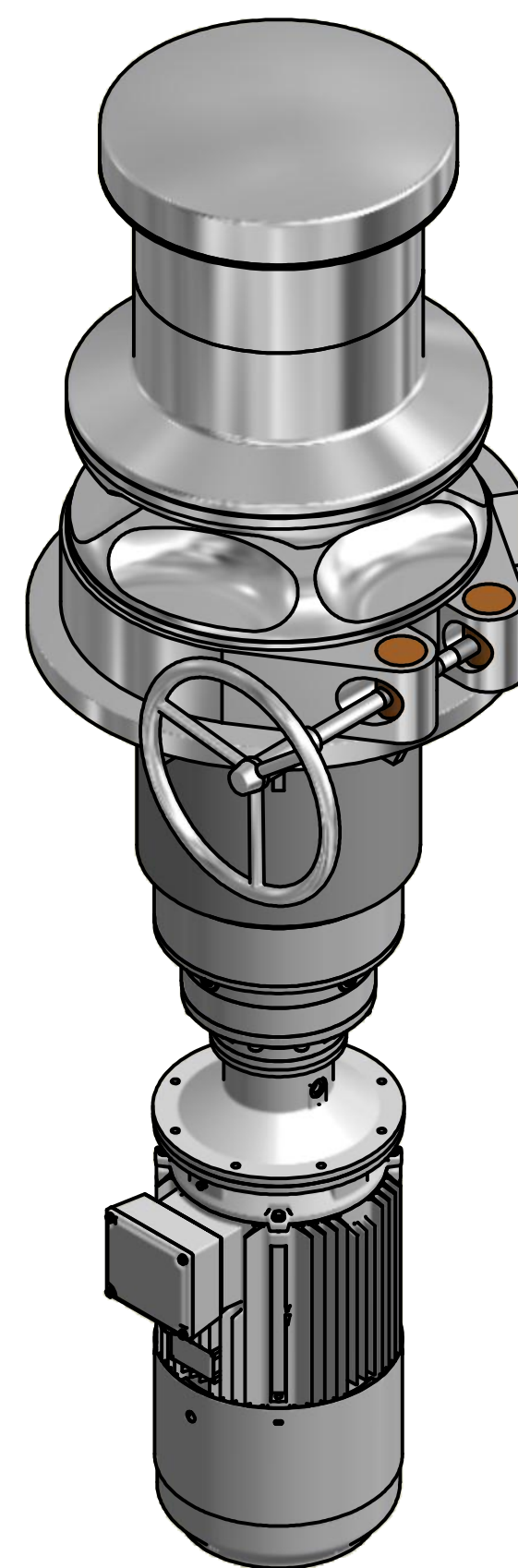
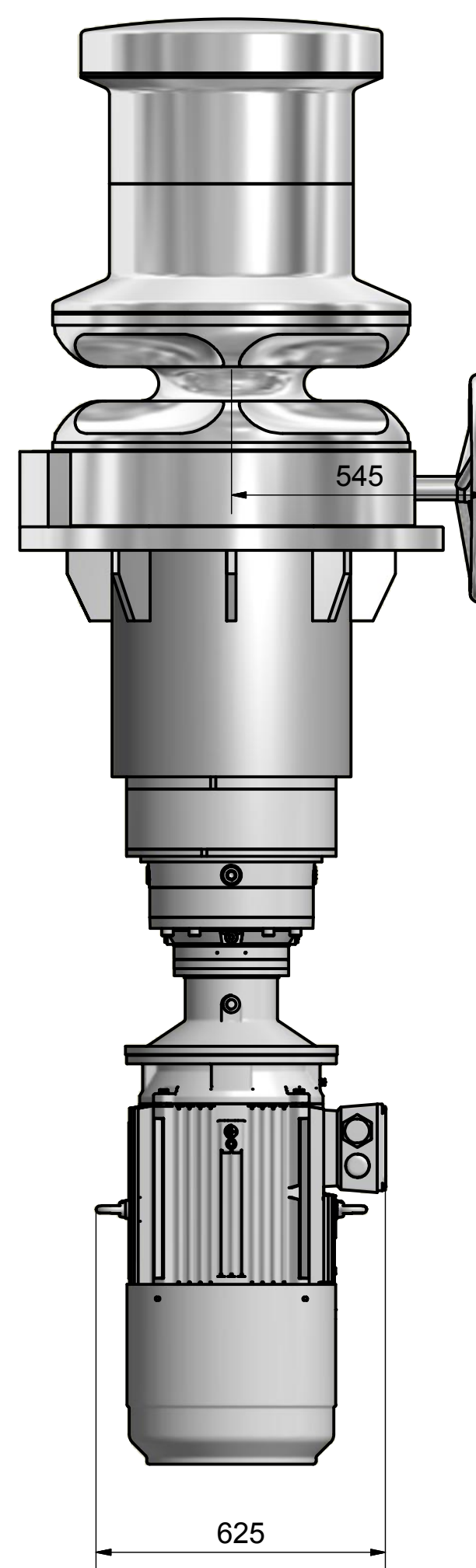
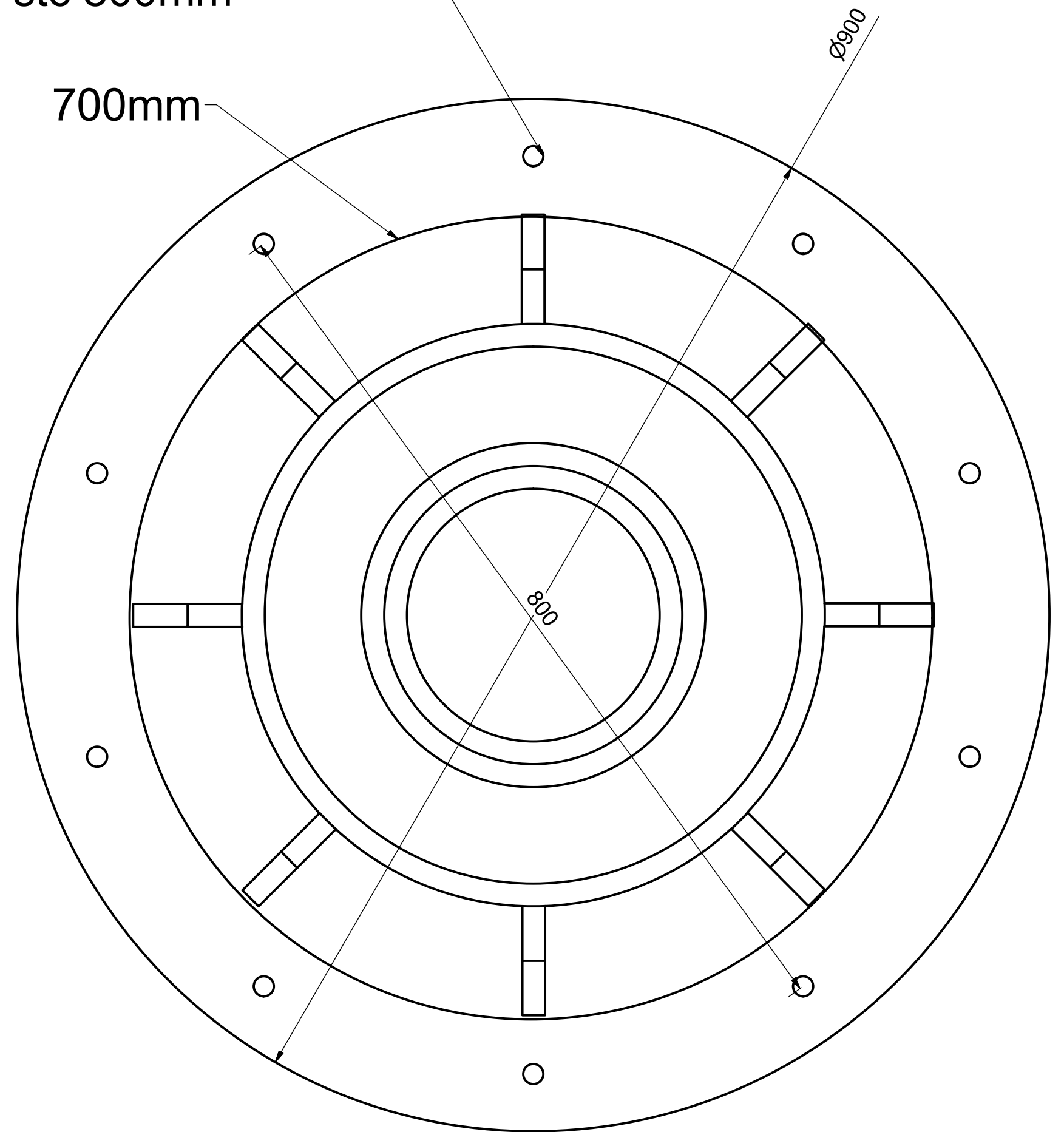


10 x M20 on stc 800mm



Studlink chain stc:  
 44mm stc is 572mm  
 46mm stc is 598mm  
 48mm stc is 624mm

Keep 200mm clear for dismantling

ALG. TOLERANTIE TENZIJ ANDERS VERMELD: MATEN ± 0.2 HOEKEN ± 1'

Drawingnumber: Type 8 for up to 48mm Chain Title: Vertical Anchor Capstan Type 8

Material:

Date: 17-2-2016

Projection

Designer: ASCON Equipment

Format: AI

Scale:

Units:

Version:

sheet 1 of 1



ASCON Equipment B.V.  
 Karmijnstraat 3  
 1339GA Almere  
 The Netherlands  
 Tel. +31 (0)36 5352606

All rights reserved. This drawing remains property of ASCON Equipment B.V. and cannot be used or copied without prior written permission.