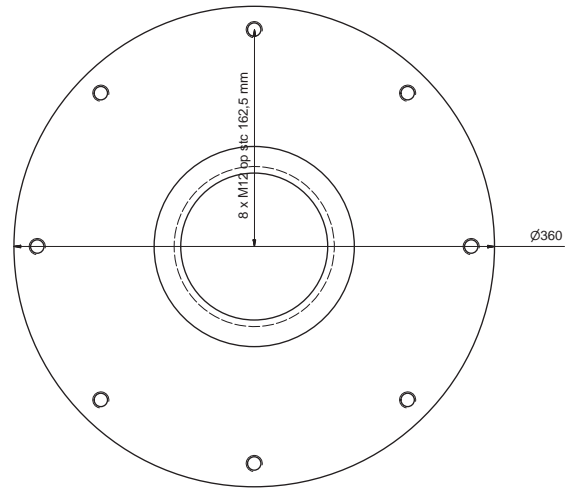
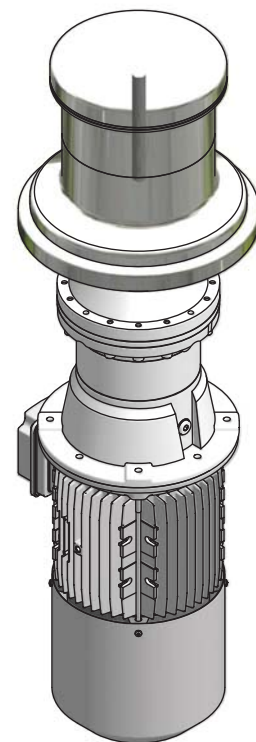


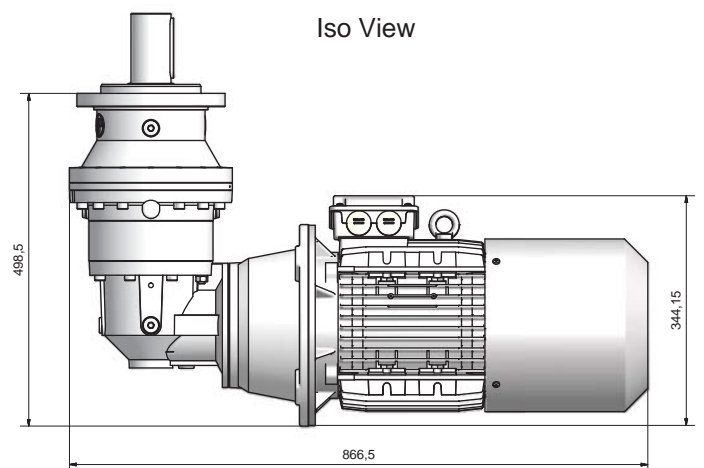
Removal clearance 200mm



Mounting hole pattern



Iso View



Alternative angled drive

ALG. TOLERANTIE TENZIJ ANDERS VERMELD: MATEN ± 0.2 HOEKEN ± 1

Drawingnumber: C3 GA assy Title: Capstan type 3 2000Kg

Material:

Date: 29-4-2014

Projection

Designer: AD



Format: AI

Scale:

Units:

Version:

Sheet 1 of 1



ASCION Equipment B.V.
Kernijzerlaan 3
1336BA Almere
The Netherlands
Tel. +31 (0)36 5324004